



ARROWSMITH & GRANT  
REFRIGERATION

AG2R 007 296 586  
ARROWSMITH & GRANT

**AG2TEMP  
PRESTIGE SPECIAL  
REFRIGERATOR  
Model: AG2TEMP SPECIAL**

**Arrowsmith and Grant Refrigeration**

Manufacturers & suppliers of prestige home refrigeration equipment.

**ABN: 64 007 296 586 28-30 Marni St  
Dandenong South Ph 03 9706 6655 Fax 03 9706 6654**

# **AG2TEMP SPECIAL REFRIGERATOR**

## **INDEX**

<b>1</b>	<b>Operating Instructions</b>
<b>2</b>	<b>Ice Maker</b>
<b>3</b>	<b>Cleaning &amp; Maintenance</b>
<b>4</b>	<b>Trouble Shooting</b>
<b>5</b>	<b>Alarm</b>
<b>6</b>	<b>Technical Specifications</b>
<b>7</b>	<b>Testing</b>

---



## **OPERATING INSTRUCTIONS**

*The upright prestige Refrigerator/Freezer should be in position and have been commissioned by Arrowsmith & Grant refrigeration or an authorised installer ready for you to use.*

*The upright prestige Refrigerator/Freezer would have been fully tested and commissioned at your home, with all wiring and drainage completed by registered tradesmen.*

### **Light Control**

*The light switch is located on the control panel inside the refrigerator.*

*When the door is opened the control panel can be viewed.*

### **Temperature & Defrost Control**

*Temperature and defrost settings are programmed into the temperature control modules. (The Temperature controls are located on the control panel inside the refrigerator).*

*The temperature control for the refrigeration cabinet is on the right and has been factory set to 2°C. The temperature control for the freezer section is on the left and has been factory set to -18°C.*

*Once the cabinet has been switched ON, the electronic digital controllers will start displaying the current internal temperature.*

***Important note:*** *Allow the refrigeration cabinet to run for 8-12 hours before loading. This ensures appropriate temperatures for food and beverages. After prolonged or repeated door openings, the displayed temperature may rise. This is normal. The set temperatures will recover in a short period of time.*

### **Temperature Adjustment**

*Allow the temperature to stabilize for 24 hours after loading the cabinet with food or beverages before making any temperature adjustments.*

- 1. Press the set symbol to start the set point flashing.*
- 2. Adjust the temperature using the up and down buttons.*
- 3. When you have reached your new setting, press the set symbol to confirm. The Electronic Digital Controller will now return to normal operating mode.*

***NOTE:*** *Temperatures displayed may vary from the set point due to door openings or during defrost.*

---



ARROWSMITH & GRANT  
REFRIGERATION  
2000

## ***OPERATING INSTRUCTIONS CONTINUED***

### **Defrosting**

*Defrosting is fully automatic and factory preset. A manual defrost may be necessary if the door has been left open for a long period of time or circulation has been blocked to the cooling coil.*

*To initiate a manual defrost, press the down DEFROST button for 3 seconds. This will start the defrost cycle and when finished, the electronic digital controller will return to normal mode.*

### **Alarm Control**

*Alarm set points are programmed into the Alarm Control Module. The Alarm is for both the refrigerator and the freezer section only.*

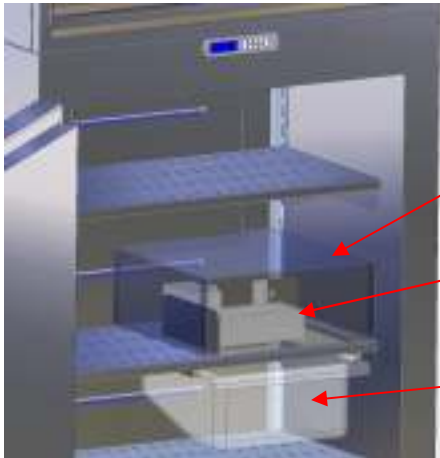
*The alarm button should be in the “OFF” position until cabinet temperature has stabilized. When the temperature has stabilized, switch alarm to “ON” position by depressing the button, the blue light around the button should be on.*

### **Remote Alarm Connection**

*The remote alarm wires are located at the front of the cabinet behind the services cover. (They are normally open contacts). The remote alarm connection is only required if you require a remote alarm system.*

---

## ICE MAKER



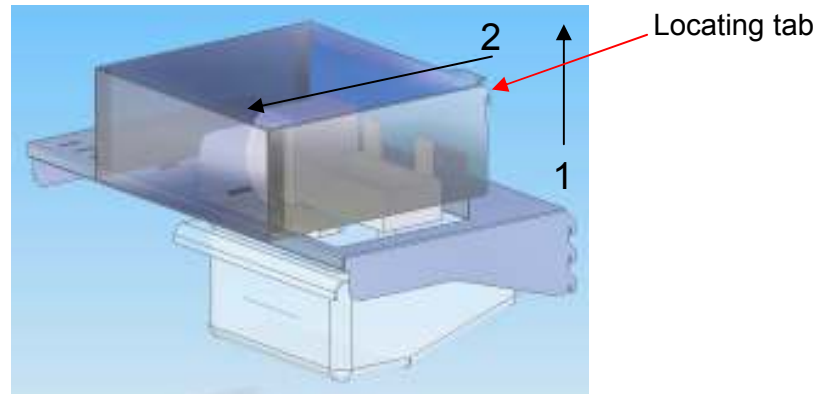
Ice Maker Cover

Ice Maker

Ice drawer

To start the Ice Maker:

1. Remove the Ice Maker Cover by lifting up (1) and pulling out (2). See diagram below. Place to one side.
2. Switch the Ice Maker power switch to ON.
3. Replace the Ice Maker Cover by locating the tab at the back of the cover in the vertical shelf support slot and then letting it settle on top of the shelf.



The ice maker will fill with water when the freezer reaches the proper temperature. It may take 8 to 12 hours before the ice maker produces any usable ice.

It is advisable to discard all ice cubes from the first harvest or two, as they may contain impurities from the new supply pipes.

It is quite normal for several cubes to be joined together after harvesting. They can be easily broken apart. The Ice Maker will continue to harvest ice until the supply of ice in the Ice Drawer rises to the level where the shut off paddle is restricted, shutting the Ice Maker off.

Should you wish to manually stop the ice Maker, remove the cover and switch the Ice Maker power switch to OFF.

To collect ice that has been harvested into the Ice Drawer, simply slide the Ice Drawer forward. Close the drawer when finished.

To remove the Ice Drawer, slide forward until it stops then lift up to disengage the drawer slides.

It is advisable to periodically remove the drawer and wash in soapy warm water. Rinse and dry thoroughly. Replace by reversing the above procedure.



## ***CLEANING & MAINTENANCE***

### ***12 monthly service***

*A 12 monthly maintenance should be carried out by an Arrowsmith & Grant refrigeration technician. This service includes calibration and tests of*

- ALARMS*
- CONTROLS*
- DISPLAYS*
- FULL SYSTEM OPERATION*

### ***Internal & External Surfaces***

*The external and internal surfaces of the upright prestige Refrigerator are stainless steel. They can be easily cleaned with a non-solvent cleaner or spray.*

### ***Shelving***

*The internal shelving system may be removed from the cabinet. The shelves and slide out baskets and compartments can be cleaned in warm soapy water or with a non-solvent cleaner.*

### ***Front Control Panel***

*The front Control Panel must be cleaned with a damp cloth only.*

### ***Door seals***

*It is recommended that the door seal is wiped over with a mild soapy detergent, to keep them free of dirt and to maintain a good seal.*

---



## ***TROUBLE SHOOTING***

- Cabinet not working:*** Be sure that there is power to the refrigerator/freezer (temperature indicators on front panel should be displaying the refrigerator temperature).  
Make sure the circuit breaker or power source is in the on position.  
**Do not remove any service panels or touch any wiring.**  
**Contact Arrowsmith & Grant's national service phone number (03) 9706 6655**
- Door hard to open:*** Due to the air flow and magnetic seals, the door may be difficult to open for several seconds after being closed (this is normal for freezer doors).
- Moisture on cabinet:*** Condensation droplets can occur during hot, humid weather. This is normal.  
Door not closed properly. Free any obstructions and make sure the door seals shut.
- Cabinet front is warm to touch:*** Specially designed heater wires installed to limit condensation during periods of high humidity. This is normal.
- Noisy operation:*** Cabinet not level. Check and level.  
Weak floor.  
Normal operating sounds of the fan and compressor.
- Cabinet too warm:*** Electronic Digital Controller set too high. Re-adjust. See page 2.
- Cabinet too cold:*** Electronic Digital Controller set too low. Re-adjust. See page 2.
- Freezer not freezing properly:*** Products with high sugar content may not harden completely when frozen (ice cream, concentrated juice, etc.) This is normal.
- Odour in cabinet:*** Odour producing foods should be covered or wrapped.  
Interior needs cleaning. See page 2.
- Warm air from grille:*** Normal air flow from condensate drip tray.
- Light not working:*** Make sure light switch on front Control panel is on.  
Have a **qualified electrician** check that the tube is not broken.
-



## **ALARM**

*The alarm control should always be turned on. There is an alarm off switch located on the inside front control panel of the refrigerator. Refer to operating instructions of manual (page one).*

*The alarm control has been factory set. The alarm module is located in the services area of the refrigerator and should only be adjusted by Arrowsmith & Grant personnel or an authorised service technician.*

*The Alarm Control module is programmed to alarm in the following conditions:*

- a) High temperature*
- b) Low temperature*
- c) Power interruption*

*The alarm system has an internal buzzer and has a set of voltage free contacts that can be connected to an external alarm system.*

*The alarm is for the main refrigerator and freezer only.*

### **Alarm Mute Button**

*Pushing the button for two seconds will mute the alarm.*

*The alarm mute button is the red light button located on the control panel. The alarm mute buttons are on the control panel inside the refrigerator.*

*Once the alarm has been muted it will be automatically re-activated if the fault still exists in twenty minutes. If the alarm continues to alarm call our national service telephone number **03 97066655**.*

*(Alarms to activate at +10°C & 0°C for the refrigerator)  
(Alarms to activate at -8°C & -25°C for the freezer section)*

---





## **TECHNICAL SPECIFICATIONS**

- **Prestige Refrigerator/Freezer**  
*External measurements - height 2090mm, width 2150mm, depth 730mm (+ doors).*
  - **Construction**  
*Corrosion resistant stainless steel with 304-grade stainless steel internal finish*
  - **Insulation**  
*50mm Styrofoam thermal insulation.*
  - **Lighting**  
*2 x 8 watt LED, 24 volt.*
  - **Alarm**  
*12VDC dry cell rechargeable battery - two (2) year life.  
240 volt trickle charge.*
  - **Evaporator Fans**  
*240 volt*
  - **Drainage**  
*Condensate to waste drain with water trap in Refrigerator and Freezer.*
  - **Refrigeration System Control Circuit**  
*240 volt 10-amp power outlet*
  - **Compressor**  
*240 Volt 8.2 amperes (2 units).*
  - **Refrigerant**  
*R404A- 1.5kg*
  - **Noise Level**  
*Under 65 dB (A) Out side condensing unit*
  - **Total Amps**  
*8.2A*
  - **Designed ambient temp range**  
*5°C to 35°C*
-



**TESTING**

***Prestige Upright Refrigerator/Freezer - Model AG2TEMP SPECIAL***

*Your Prestige Upright Refrigerator/Freezer has been tested for performance to our strict rules for household refrigeration products.*

**CHECKED:**

- 1. *Prestige refrigerator body and doors*
- 2. *Refrigeration Condensing units*
- 3. *Alarm*
- 4. *Temperature displays*
- 5. *Full operation*
- 6. *Appearance*

<p><b>Tested &amp; checked by:</b>.....</p> <p><b>Signed</b> .....</p> <p><b>Dated</b> .../.../...</p> <p><b>Serial Number</b>.....</p>
---

**Conclusion**

*System fully tested to Arrowsmith & Grants strict criteria for prestige home refrigeration*

.....  
**TEST SUPERVISOR**